

IMAGE[®]

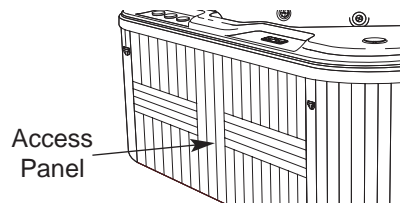
R E N E W

628

Model No. IMSB62820
IMSG62820

Serial No. _____

The serial number is on a plastic sign inside the spa behind the access panel. Write the serial number in the space above for reference.



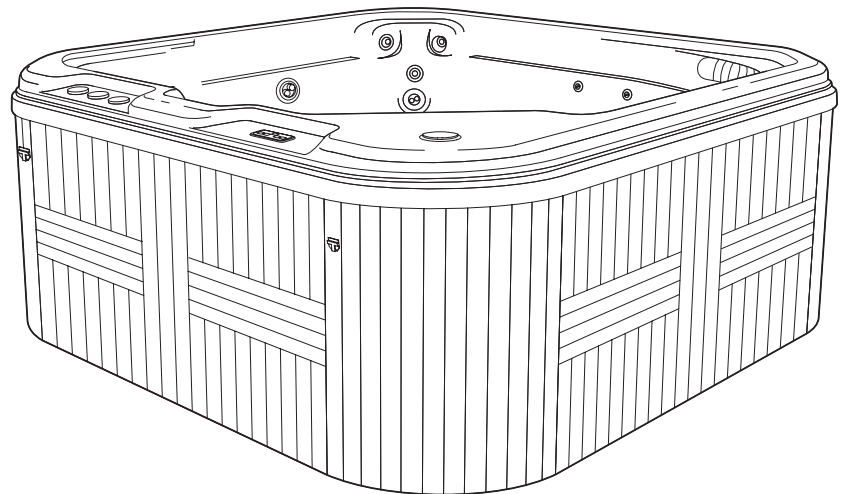
USER'S MANUAL

QUESTIONS?

If you have questions, or if there are missing parts, we will guarantee complete satisfaction through direct assistance from our factory.

TO AVOID DELAYS, PLEASE CALL DIRECT TO OUR TOLL-FREE CUSTOMER HOT LINE. The technicians on our customer hot line will provide immediate assistance, free of charge.

CUSTOMER HOT LINE:
1-877-897-7493
Mon.–Fri., 8 a.m.–5 p.m. CST



CAUTION

Read all precautions and instructions in this manual before using this equipment. Save this manual for future reference.



Visit our website at

www.workoutwarehouse.com


new products, prizes,
fitness tips, and much more!

Table of Contents

Posting the Warning Sign	2
Important Safety Instructions	3
Before You Begin	6
Choosing a Location for the Hydrotherapy Spa	7
Assembly	8
Using the Hydrotherapy Spa	10
Spa Shell Diagram	11
Using the Controls	12
Maintenance	13
Troubleshooting	16
Part List	18
Exploded Drawing	19
Ordering Replacement Parts	Back Cover
Limited Warranty	Back Cover

Posting the Warning Sign

The warning sign, shown below, must be posted on a wall or fence where it will be visible to all users of the hydrotherapy spa. Whenever the spa is moved, the sign must also be moved and reposted near the spa. If the sign becomes lost or illegible, call our toll-free Customer Hot Line at 1-877-897-7493 to obtain a replacement sign. Post the sign as described above.

 <h1 style="margin: 0;">WARNING</h1>	
<p>DURING PREGNANCY, SOAKING IN HOT WATER MAY CAUSE DAMAGE TO THE FETUS. LIMIT USE TO 10 MINUTES AT A TIME.</p>	
<p>PREVENT DROWNING</p> <ul style="list-style-type: none"> • Spa heat speeds up the effect of alcohol, drugs, or medicine and can cause unconsciousness. • Immediately leave spa if uncomfortable or sleepy. 	<p>PREVENT CHILD DROWNING</p> <ul style="list-style-type: none"> • Water attracts children. • Always attach spa cover after each use.

Important Safety Instructions

⚠️ WARNING: To reduce the risk of drowning, electric shock, or serious injury, read the following important precautions before using the hydrotherapy spa.

READ AND FOLLOW ALL INSTRUCTIONS

1. It is the responsibility of the owner to ensure that all users of the hydrotherapy spa are adequately informed of all precautions.
2. Use the hydrotherapy spa only as described in this manual.
3. The hydrotherapy spa is intended for home use only. Do not use the spa in a commercial, rental, or institutional setting.
4. Use the hydrotherapy spa only on a level surface. Do not use the spa on carpet or other materials that could be damaged by moisture.
5. The hydrotherapy spa will weigh approximately 2,900 pounds when it is filled with water. Make sure that the location you select for the spa will support this weight, plus the weight of the occupants.
6. Inspect and tighten all parts regularly. Replace any worn parts immediately.
7. **DANGER**—Risk of injury: Do not remove or alter the covers on the suction fittings. Never operate the hydrotherapy spa if the suction guard is missing or broken. If you need to replace a suction fitting or pump, make sure you use only manufacturer recommended replacement parts. Keep hair and body parts away from the suction guard. Do not allow long hair to float freely in the water; long hair should be restrained with a bathing cap.
8. **IMPORTANT:** Do not allow the hydrotherapy spa to be exposed to direct sunlight when it is empty. The surface of the spa shell can reach temperatures as high as 150°F in a matter of minutes if exposed to the sun while it is empty. These high temperatures can cause significant damage, such as blistering of the shell surface and warping of the spa shell. Any damage caused by sun exposure is not covered under the warranty.
9. Do not bring any object into the hydrotherapy spa that could damage the spa shell.
10. Never insert any object into any opening.
11. Do not use breakable containers in or near the hydrotherapy spa.
12. Do not sit on the spa cover or place objects on it; it is not designed to support weight.
13. Remove any water or debris that may collect on the spa cover.
14. Keep children under the age of 12 and pets away from the hydrotherapy spa when it is not in use.
15. Keep all chemicals away from children and pets.
16. The pH and chemical balance of the water must be maintained as explained in this manual (see pages 10 and 14). Failure to do so may cause injury to users or damage to the hydrotherapy spa, and will void the warranty.
17. Individuals with infections and open sores or wounds should not use the hydrotherapy spa. Bacteria thrive in warm and hot water. Always keep your spa disinfected and maintain the proper chemical balance.
18. Shower before and after using the hydrotherapy spa. This will remove any deodorant, perspiration, or body oils that could contaminate the water. Showering after will remove any residual chemicals and any bacteria that may have been in the spa.
19. **WARNING**—The Ground Fault Circuit Interrupter (GFCI), must be tested before each use. To test the GFCI, press the “test” button while the hydrotherapy spa is running. The spa should shut off. Press the “reset” button. The spa should resume normal operation. If the spa continues to run after the “test” button is pressed, then the GFCI is damaged. Do not use the spa until the GFCI has been repaired or replaced by a qualified electrician.

20. **DANGER**—Risk of electric shock. Keep all electrical appliances such as radios, telephones, televisions, and lights at least five feet away from the water.
21. A wire connector is provided on the electronics pack of the hydrotherapy spa to connect a minimum No. 6 AWG (13.3 mm²) solid copper conductor between the spa and any metal equipment, electrical enclosure made of metal, metal water pipes, or conduit within five feet of the spa.
22. **DANGER**—Risk of electric shock: Do not set the hydrotherapy spa within five feet of any metal objects or surfaces. As an alternative, you may use the spa within five feet of metal objects if each metal object is permanently connected to the wire connector on the electronics pack of the spa by a minimum No. 6 AWG (13.3 mm²) solid copper conductor (see instruction 21).
23. Do not operate the pump motor when the hydrotherapy spa is empty. The pump motor may be seriously damaged if it is operated without water circulating.
24. **DANGER**—Risk of drowning: Exercise extreme caution to prevent unauthorized and unsupervised use of the hydrotherapy spa by children. Children must always be supervised.
25. **DANGER**—To reduce the risk of drowning:
- Never use the hydrotherapy spa alone.
 - Children should not use the spa unless they are supervised by an adult.
 - Keep pets away from the spa at all times.
 - Always replace and lock the spa cover when the spa is not in use.
26. **WARNING**—To reduce the risk of injury: The water temperature should never exceed 104°F. Temperatures between 100°F and 104°F are considered to be safe for healthy adults. However, if you plan to remain in the hydrotherapy spa for more than 10 to 15 minutes, a lower temperature is recommended. Lower temperatures are also recommended for children. Children should not be allowed to swim under the surface of the water in the spa.
27. **WARNING**—To reduce the risk of injury: Before entering the hydrotherapy spa, always use an accurate thermometer to determine the water temperature.
28. **WARNING**—To reduce the risk of injury: Pregnant women should consult with their physician before using the hydrotherapy spa. Pregnant women should not use the spa if the water temperature is above 100°F; the unborn child could be seriously harmed. This is especially important during the first 90 days of the pregnancy.
29. **DANGER**—To reduce the risk of drowning: Prolonged immersion in the hydrotherapy spa may cause hyperthermia. The causes, symptoms and effects of hyperthermia may be described as follows: Hyperthermia occurs when the internal temperature of the body reaches a level several degrees above the normal body temperature of 98.6°F. The symptoms of hyperthermia include an increase in the internal temperature of the body, dizziness, lethargy, drowsiness and fainting. The effects of hyperthermia include failure to perceive heat; failure to recognize the need to exit the spa or hot tub; unawareness of impending hazard; fetal damage in pregnant women; physical inability to exit the spa or hot tub and unconsciousness resulting in danger of drowning. **WARNING:** The use of alcohol, drugs or medication can greatly increase the risk of fatal hyperthermia.
30. **WARNING**—To reduce the risk of drowning: Do not use the hydrotherapy spa if you are under the influence of alcohol or drugs. Heat from the water, in conjunction with alcohol or drugs, can cause loss of consciousness.
31. **WARNING**—To reduce the risk of injury or drowning: Consult your physician about possible side-effects of any medications you may be taking before using the hydrotherapy spa. Heat from the water, in conjunction with some medications, may cause drowsiness and increase the risk of drowning. Other medications can effect blood pressure, heart rate, and circulation.
32. Do not use the hydrotherapy spa immediately after strenuous exercise.
33. If you feel pain or dizziness at any time while using the hydrotherapy spa, discontinue use and contact a physician.
34. **WARNING**—To reduce the risk of injury: It is especially important for persons over the age of 35 or persons with pre-existing health problems, such as obesity, heart disease, high or low blood pressure, circulatory problems, or diabetes to consult their physician before using the hydrotherapy spa.

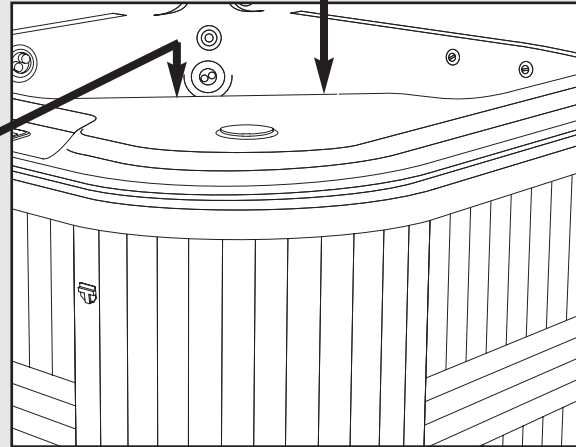
35. **WARNING:** The spa jets produce a stream of water with relatively high pressure. Prolonged exposure of a localized area of the body may cause bruises to the skin.

36. The included warning sign must be posted where all users of the hydrotherapy spa can see and read it. (See **POSTING THE WARNING SIGN** on page 2.)

37. **WARNING DECAL PLACEMENT:** Locate the decals shown below and familiarize yourself with the information on the decals.

⚠ WARNING	
PREVENT DROWNING <ul style="list-style-type: none">• Supervise your children at all times.• Attach spa cover after each use.• Spa heat can cause hyperthermia and unconsciousness.• Spa heat in conjunction with alcohol, drugs, or medication can cause unconsciousness.	PREVENT ELECTROCUTION <ul style="list-style-type: none">• Never place any electrical appliance within 5 feet of spa.• Read and follow owner's manual and instructions
<small>Note: This marking is to be removed only by the owner</small>	

⚠ WARNING
Continuous exposure of the spa surface to direct sunlight may cause damage to the spa's surface and will void the surface warranty to this spa. To avoid sun damage the cover should be in place when the spa is not in use.



⚠ WARNING: Read all instructions before using the hydrotherapy spa. ICON assumes no responsibility for personal injury or property damage sustained by or through the use of this product.

SAVE THESE INSTRUCTIONS

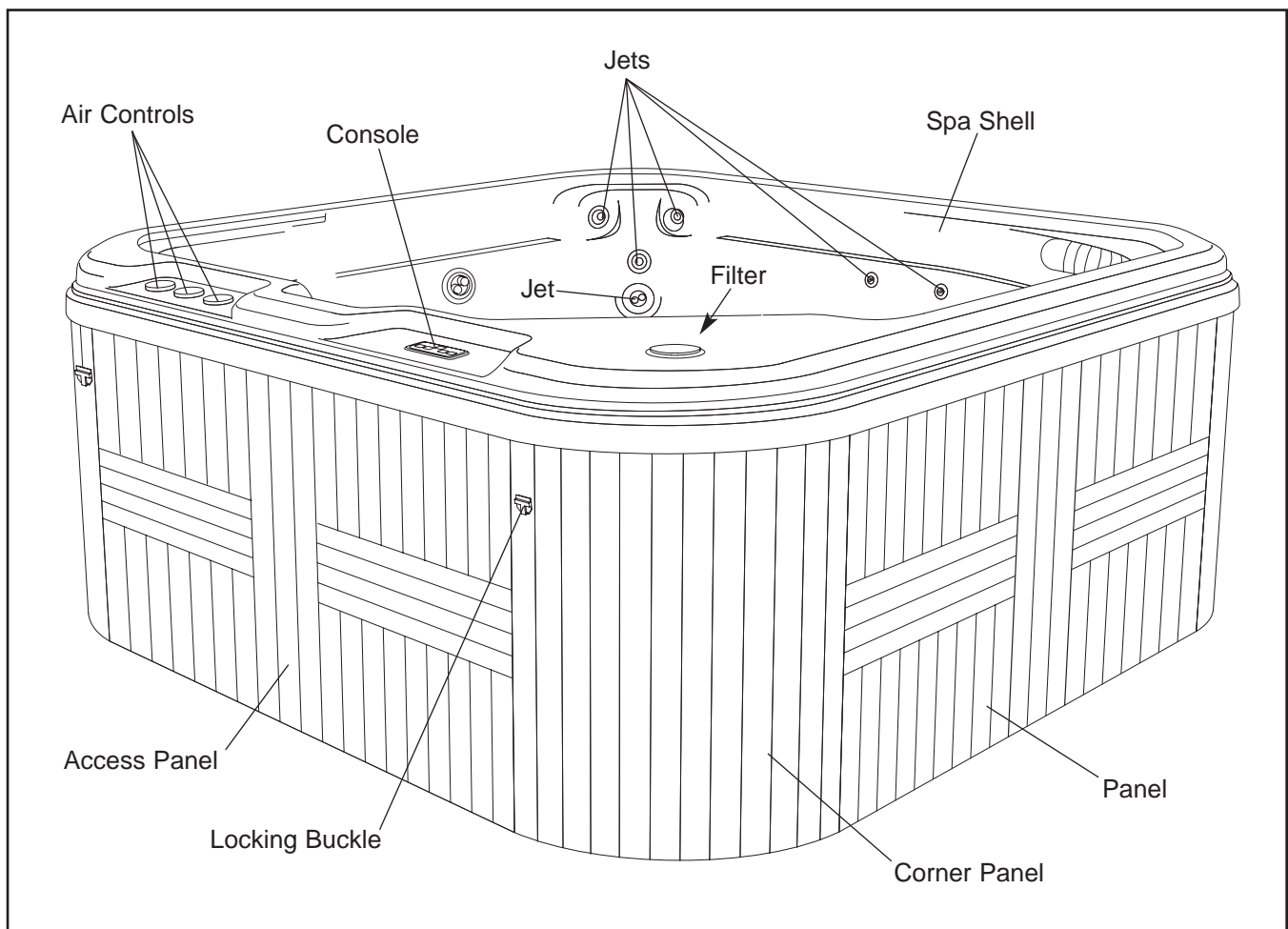
Before You Begin

Thank you for selecting the innovative RENEW 628 hydrotherapy spa by IMAGE®. The RENEW 628 hydrotherapy spa offers the features and quality of a traditional hot tub at an affordable price, giving you the benefits of hydrotherapy in the comfort and privacy of your own home.

Hydrotherapy is a proven method for soothing tired muscles after exercise or for relieving the stress of a busy life. The warm environment stimulates blood flow, which is essential in the healing process, and the powerful massage action further eases tension and stress. The RENEW 628 hydrotherapy spa gives you the specialized treatment you need to feel your best.

For your safety and benefit, read this manual carefully before using the RENEW 628. If you have additional questions, please call our Customer Service Department toll-free at 1-877-897-7493, Monday through Friday, 5 a.m. until 8 p.m. Central Time (excluding holidays). To help us assist you, please note the product model number and serial number before calling. The model number is IMSB62820 or IMSG62820. The serial number can be found on a decal attached to the frame inside the spa (see the front cover of this user's manual).

Before reading further, please familiarize yourself with the parts that are labeled in the drawing below.



Choosing a Location for the Hydrotherapy Spa

There are many factors to consider when choosing a location to set up the hydrotherapy spa. These factors vary depending on whether you plan to use the spa inside or outside. We have listed several factors you may wish to consider as you decide where to set up the spa.

If you set up the hydrotherapy spa inside:

1. The spa will increase the level of humidity in your home. The location you choose should be well ventilated. You may need to install a ventilation fan or use a dehumidifier.
2. The spa should be located near a 240-volt power source. It must be wired directly into a grounded circuit with a Ground Fault Circuit Interrupter (GFCI) capable of carrying 30 amps. No other appliance should be on the same circuit.
3. The spa should be close to a source of water.
4. Do not use the spa on carpet or other material that may be damaged by moisture. We recommend that you place the spa on a water- and stain-resistant, non-slip surface with a floor drain for any water that may splash from the spa.
5. Be sure that the location you choose is stable. It must be able to support the weight of the spa when it is filled with water, plus the weight of the occupants. The spa weighs approximately 2,900 pounds when it is filled with water.
6. Do not use the spa above a finished living area, due to the risk of water damage.
7. Be sure that there is room around the spa to permit servicing of the unit. The dimensions of the spa are 84" W x 84" L x 36" H. You should allow for this size when choosing the location.
8. The spa is not designed for in-floor installation. However, it is compatible with a deck system that is built flush with the top of the spa, provided you leave access to the motor for service.
9. Be sure to note any other considerations, such as aesthetics or privacy concerns, that may affect the safety or enjoyment of using the spa.

If you set up the hydrotherapy spa outside:


1. Check local building codes concerning the use of outdoor spas.
2. The spa should be located near a 240-volt power source. It must be wired directly into a grounded circuit with a Ground Fault Circuit Interrupter (GFCI) capable of carrying 30 amps. No other appliance should be on the same circuit.
3. The spa should be close to a source of water.
4. We recommend that you place the spa on a water- and stain-resistant, non-slip surface. Do not use the spa on rough or sharp surfaces such as gravel or wood chips.
5. Be sure that the location you choose is stable. It must be able to support the weight of the spa when it is filled with water, plus the weight of the occupants. The spa weighs approximately 2,900 pounds when it is filled with water.
6. Consider environmental factors such as rain, wind, shade, sunlight, and so forth.
7. You should be able to monitor the use of the spa from your home, to prevent unauthorized use by children. You may want to enclose the spa with a fence and self-latching gate to prevent unauthorized use.
8. Be sure that there is room around the spa to permit servicing of the unit. The dimensions of the spa are 84" W x 84" L x 36" H. You should allow for this size when choosing the location.
9. The spa is not designed to be installed below ground level. However, it is compatible with a deck system that is built flush with the top of the spa, provided you leave access to the motor for service.
10. Be sure to note any other considerations, such as aesthetics or privacy concerns, that may affect the safety or enjoyment of using the spa.

Assembly

Before beginning assembly, carefully read the following information and instructions:

- Place all parts in a cleared area and remove the packing materials from the spa shell. Do not dispose of the packing materials until assembly is completed and the spa is operating.
- During assembly, make sure that all parts are oriented as shown in the drawings.
- Read each assembly step before you begin.
- Tighten all parts as you assemble them, unless instructed to do otherwise.

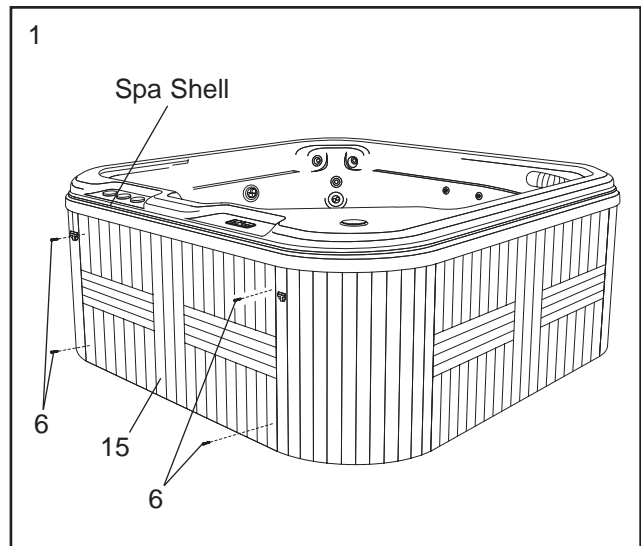
ASSEMBLY REQUIRES THE FOLLOWING TOOLS (not included):

- One phillips screwdriver 
- You will also need a small amount of soap and a damp cloth.

A wire connector is provided on the electronics pack of the spa to connect a minimum No. 6 AWG (13.3 mm²) solid copper conductor between the spa and any metal equipment, electrical enclosure made of metal, metal water pipes, or conduit within five feet of the spa.

1. **Before beginning assembly, make sure that you have read and understand the information in the box above and on the previous two pages.**

Remove the four indicated #10 x 2" Sheet Metal Screws (6). Remove the Access Panel (15) by sliding it down and then pulling the bottom away from the spa. **Be careful not to damage the spa shell.**

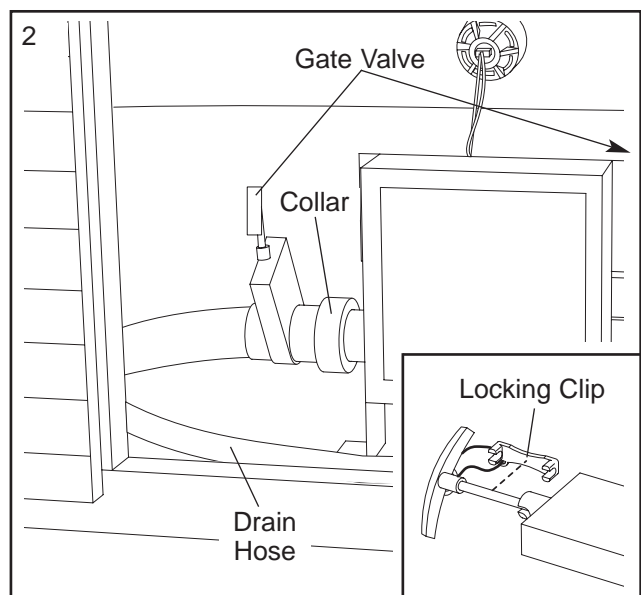


2. Locate the drain hose. Make sure that the cap (not shown) is fully tightened onto the end of the drain hose.

Locate the two indicated gate valves inside of the spa. Make sure that the gate valves are open and that the locking clips are snapped onto the stems of the gate valves as shown in the inset drawing.

Make sure that all of the collars such as the one indicated are tightened.

See step 1. Re-attach the Access Panel (15) with the four #10 x 2" Sheet Metal Screws (6).



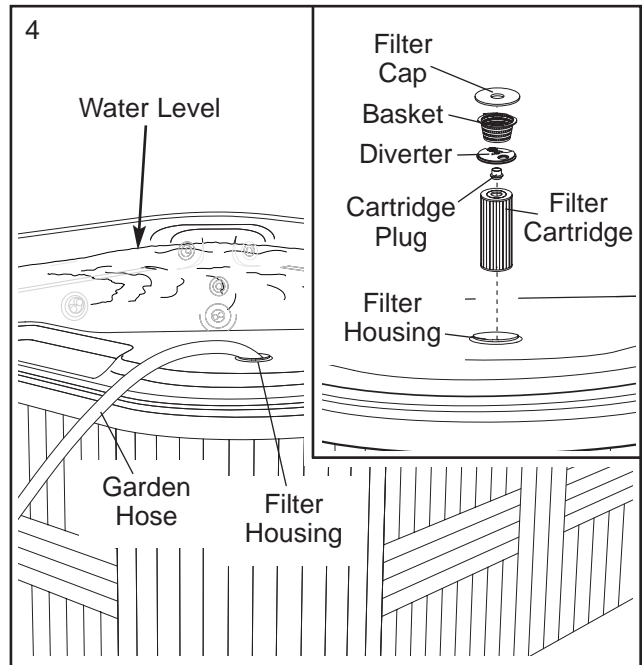
3. The hydrotherapy spa operates on a 240-volt power source and must be wired directly to a 30 amp Ground Fault Circuit Interrupter (GFCI) installed in your home. **This procedure must be performed by a qualified, licensed electrician. A wiring diagram is found on the inside of the electronics package for reference. Under no circumstances should the spa be wired by someone other than a qualified electrician.** Before you have the spa wired, make sure it is in the desired position, and that it can be easily serviced, if needed.

4. Remove the two warning decals (not shown) from the spa shell. Using a damp cloth, wipe the spa shell clean. **Before filling the spa, make sure that it is in the desired position and that there is room to service the spa. Once the spa is filled, it will have to be drained before it can be moved.**

Remove the filter cap, basket, diverter, cartridge plug, and filter cartridge.

Insert a garden hose into the filter housing and fill the spa. **Do not use soft water.** The spa may be filled with cold water; however, if warm or hot water is used, the spa will be ready for use sooner. Fill the spa until the water is at the middle of the filter housing door (not shown). **Do not overfill the spa.**

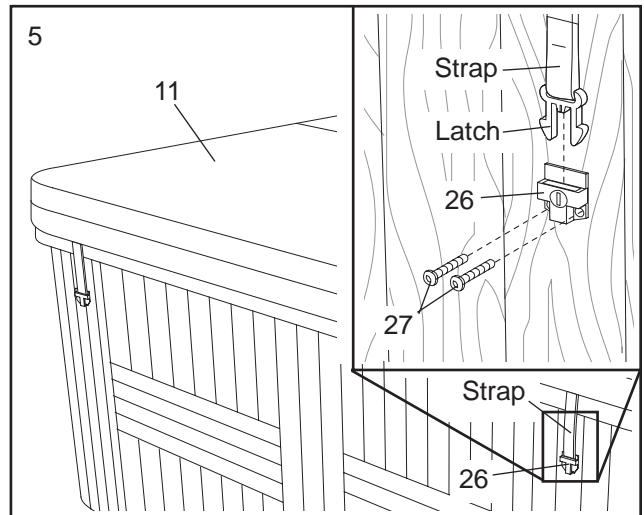
Insert the filter cartridge, cartridge plug, diverter, and basket into the filter housing. Cover the filter housing with the filter cap.



5. Pull down one of the straps on the Spa Cover (11) and hold the Buckle (26) against one of the premium cedar panels on the spa. (Note: To position the Buckle correctly, have a second person hold the strap on the opposite side of the Spa Cover snug.) **The Spa Cover must be snug. Do not place the Buckle over the grooves between the panels.** Refer to the inset drawing. Remove the latch from the Buckle (26). Attach the Buckle to the premium cedar panel with two #4 x 3/4" Screws (27).

Attach the other three Buckles (26) to the panels in the same way.

Remove the Spa Cover (11) from the spa.



Using the Hydrotherapy Spa

The hydrotherapy spa is designed to seat six adults. The spa holds 300 gallons of water and offers a heating system (80°F to 104°F), a filtration system, and adjustable hydrotherapy jets. Follow the guidelines below to use and maintain the spa for your long-term enjoyment.

WIRING THE HYDROTHERAPY SPA

The hydrotherapy spa is designed to operate with a 240-volt power source. It must be wired directly into a grounded circuit with a Ground Fault Circuit Interrupter (GFCI) capable of carrying 30 amps. No other appliance should be on the same circuit.

Connection of the spa to the 240-volt power source must be performed by a qualified, licensed electrician and must comply with all local, state, and federal electrical codes. Please refer to the instructions on the inside of the electronics package for information about connecting the spa to a 240-volt power source.

Once the spa is filled with water, the power can be turned on. Note: The first time the power is turned on, the spa will start automatically.

TESTING AND TREATING THE WATER

The first time you use the spa, you should test and treat the water. **You must also treat the water each time you refill the spa.** A test strip and a chemical pack are available at your local pool and spa store. Follow the directions carefully on the chemical pack to test and treat the water. **Always keep the chemicals away from children and pets.**

See WATER CHEMISTRY on page 13 for information concerning proper water maintenance.

STARTING THE HYDROTHERAPY SPA

You should always test the GFCI before using the hydrotherapy spa. First, turn on the spa by pressing the pump button on the console (see USING THE

CONTROLS on page 12). Once the spa is running, press the GFCI “test” button. The spa should shut off. Press the “reset” button. The spa should resume normal operation. If the spa continues to run after the “test” button is pressed, the GFCI is damaged. Do not use the spa until the GFCI has been repaired or replaced by a qualified electrician.

Once you have tested the GFCI, you should verify the water flow from the pumping unit. Set the air control on the console to the lowest setting (see USING THE CONTROLS on page 12). The pumping unit will heat the water as it pumps. Cover the hydrotherapy spa with the spa cover. **The spa cover must be tight** (see SECURING THE SPA COVER ON THE SPA below). The water will heat at about 6°F per hour with the cover on. If you are using the spa indoors, and the room temperature is maintained at 70°F, it will take approximately 6 to 8 hours for the water to reach the set temperature.

The temperature and the water flow can be set or changed with the controls on the console (see USING THE CONTROLS on page 12).

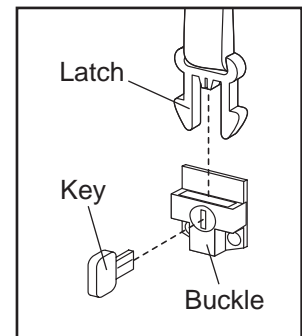
SECURING THE SPA COVER ON THE SPA

To secure the spa cover, snap the latches on the spa cover into the buckles on the premium cedar panels.

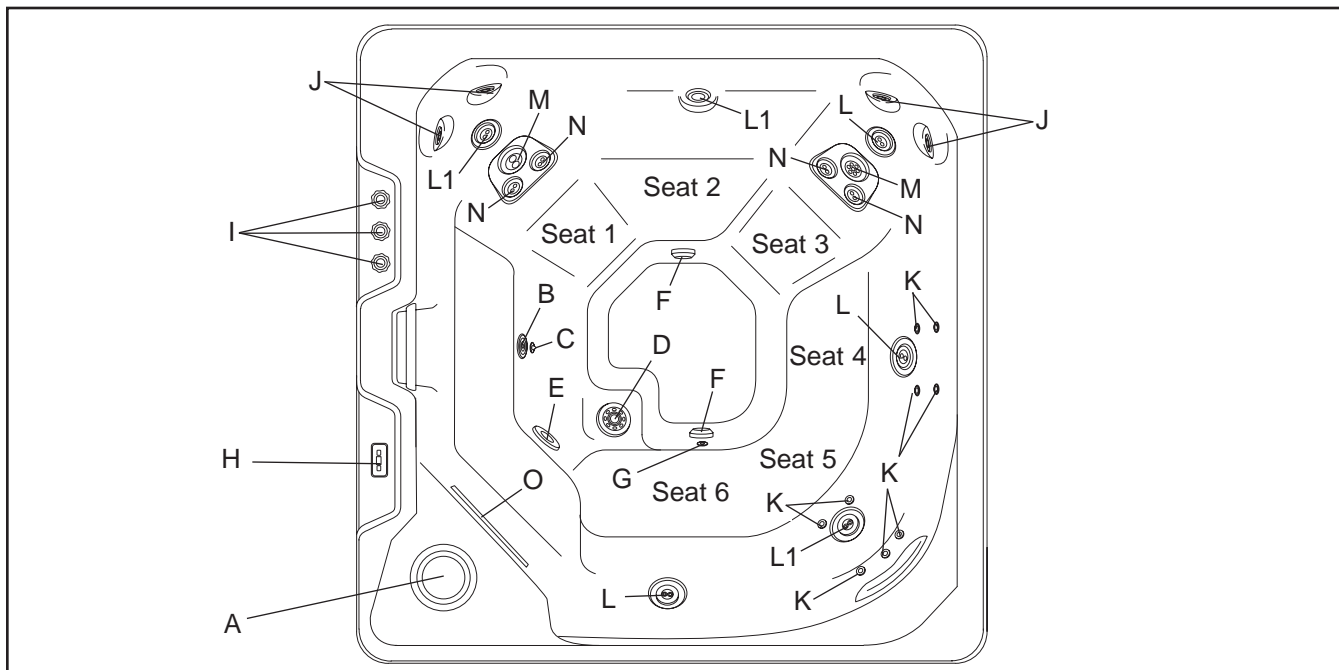
To lock the buckles, insert the key and turn it clockwise 1/4 turn. To unlock the buckles, insert the key and turn it counterclockwise 1/4 turn. **Always keep the**

buckles locked when the

spa is not in use. Keep the keys in a safe place, out of the reach of children.

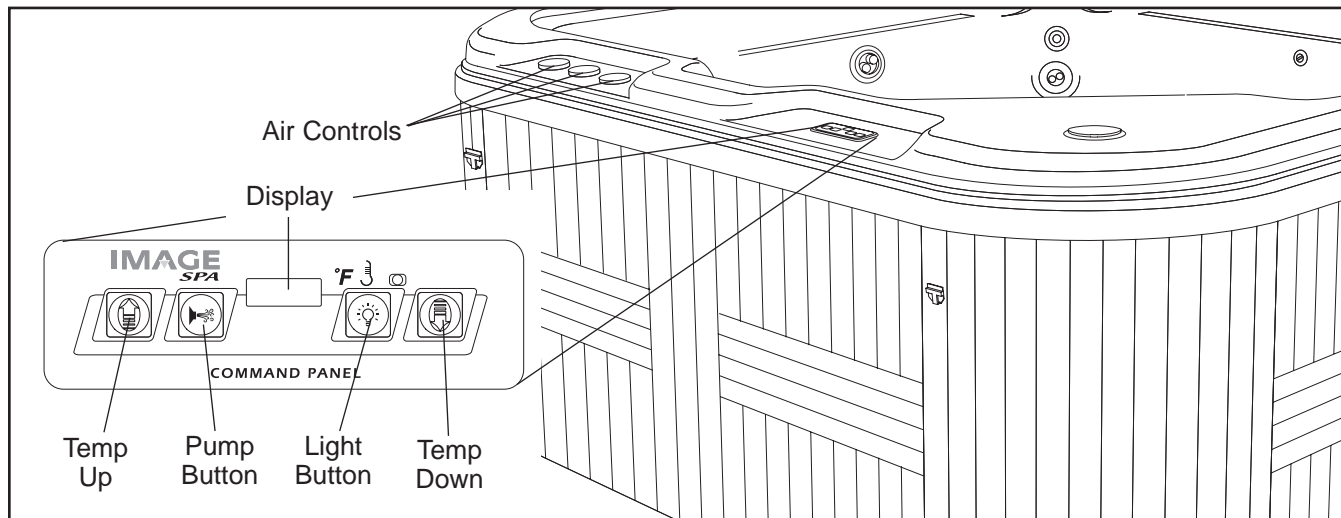


Spa Shell Diagram



- A. The **filter** can be removed for cleaning or replacement (see CHECKING AND CLEANING THE FILTER CARTRIDGE on page 13).
- B. The **underwater light** can be used for night operation (see USING THE CONTROLS on page 12). The spa includes both red and blue covers for the light.
- C. The **temperature probe** monitors water temperature.
- D. The **volcano jet** provides a soothing foot massage.
- E. The **whirlpool jet** diverts the water flow four ways. Turn the outer ring clockwise or counterclockwise until the ring stops and you hear a click. With each click, the water flow is diverted as follows: to seat 3, and the jet labeled D; next, to the seats labeled 1, 4, 5, and 6; next, to the whirlpool jet; and then to all the jets and seats. **Note: The outer ring may be hard to turn while the pump is turned on high.**
- F. The **two suction covers** provide water to the pump. Never operate the spa without the suction covers in place over the fittings.
- G. The **ozone jet** provides ozone sanitation to the spa. The ozone generator engages during the spa's filtration cycles to destroy algae, viruses, and bacteria while breaking down chemicals and solids for easy removal by the filtration system. Ozone oxidizes combined chlorine and bromine, freeing them to be continuously re-used, reducing the chemical needs and costs of the spa's sanitation.
- H. The **console** controls the spa jets, turns the underwater light on and off, and adjusts the water temperature setting (see USING THE CONTROLS on page 12).
- I. The **three air controls** regulate the air flow to the hydrotherapy jets.
- J. The **four neck jets** can be adjusted to spray soothing water on your neck.
- K. The **nine rotary jets** provide a spinning massage.
- L. The **six dual rotary jets** provide a pulsating massage action. Rotate the outer ring counterclockwise to turn the jets on. Rotate the outer ring clockwise to turn the jets off. The jets labeled L1 are always on regardless of the position of the whirlpool jet (E).
- M. The **two power massage jets** provides a soothing massage to your lower back. Turn the outer ring to regulate the flow.
- N. The **four adjustable, directional jets** can be pivoted to direct their water flow. To open the jets, turn the outer rings counterclockwise; to close the jets, turn the outer rings clockwise. If no air flows through the jets, turn the jets counterclockwise. Close the jets to increase the water pressure to other jets.
- O. The **skimmer** cleans the surface of the water.

Using the Controls



Refer to the diagram above. The function of each control is explained below:

Temperature Buttons: Control the temperature setting of the water. The temperature can be set from 80°F to 104°F. The water heats at about 6°F per hour with the cover on. Use a medical or other accurate thermometer to check the temperature of the water.

To change the water temperature, push either the temp up or temp down button until the desired temperature is reached.

If the letters OH, FL, or Sn appear in the display, refer to page 17.

Pump Button: Turns the spa jets on and off. This is a two-speed button. If the button is pressed once, the spa jets will run at low speed, providing gentle hydrotherapy. If the button is pressed twice, the spa jets will run at high speed, providing moderate-pressure hydrotherapy. If the button is pressed again, the jets will shut off.

The spa also features an automatic mode that heats and filters the water when the spa is left unattended. When the power to the spa is first turned on, or if the water temperature is below the set temperature, the water will be heated as required to maintain the set temperature. **Note: To keep the filter and heat cycles from running, the power to the spa must be turned off.**

Light Button: Turns the underwater light on and off.

Air Controls: Determine the amount of air flowing through the spa jets. If a control is turned counter-clockwise, the amount of air flowing through the jets will increase; if a control is turned clockwise, the amount of air will decrease. Test each of the air controls to determine which jets are controlled by which air control.

Maintenance

The hydrotherapy spa is designed to provide years of enjoyment. Please follow the guidelines below to properly maintain your spa.

MAINTENANCE SCHEDULE

Daily

- Check the water level and refill the spa to the level shown in step 4 on page 9.
- Check the pH balance and sanitizer level. Adjust if necessary (see WATER CHEMISTRY on page 14).

Weekly

- Clean the spa shell at the waterline.
- Check and thoroughly clean the filter (see CHECKING AND CLEANING THE FILTER CARTRIDGE on this page).
- Replace the filter cartridge if needed (see ORDERING REPLACEMENT PARTS on the back cover).

Monthly

- Clean the spa cover (see MAINTAINING THE SPA COVER on this page).
- Soak the filter for two hours in a trisodium phosphate (TSP) solution. Rinse the filter in clean water.
- Replace the filter if needed (see ORDERING REPLACEMENT PARTS on the back cover).

Every Three Months

- Drain the spa and refill it with clean water. Sanitize and test the pH of the water.
- Check for any leaks around the pump or joints in the pipes. The seals will wear out over time; detecting leaks early can reduce repair costs.
- Clean the interior of the spa. Do not use solvents or waxes.

MAINTAINING THE SPA EXTERIOR

The premium cedar surround has been treated at the factory. For information and supplies to maintain the beauty and color of the premium cedar surround, contact your local pool and spa supply store.

CLEANING THE SPA SHELL

The spa shell should be cleaned with a mild soap solution; do not use solvents. The spa should always be clean and dry before being moved or stored.

MAINTAINING THE SPA COVER

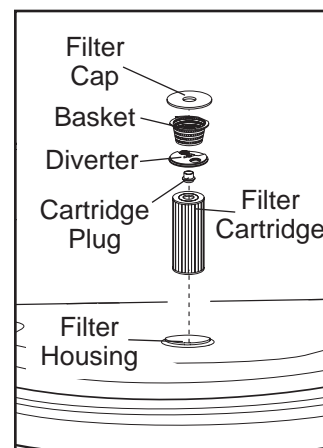
The spa cover should be cleaned monthly. To clean the spa cover, use water and a non-abrasive cleaner on the entire cover. Rinse the cover with a garden

hose to remove any cleaner residue. Dry the cover entirely. Use a non-silicone-based vinyl conditioner on the cover after you clean it. This will help protect the cover from sun damage.

CHECKING AND CLEANING THE FILTER CARTRIDGE

The filter cartridge should be checked periodically for build-up of dirt and oil. If the cartridge needs to be cleaned, follow the steps below:

1. Turn off the power.
2. Remove the filter cover.
3. Remove basket, diverter, cartridge plug, and filter cartridge from the filter housing.
4. Check the filter cartridge for dirt and debris. If the cartridge needs to be cleaned, rinse it with a hose. If the cartridge is still dirty, soak it in cleaning solution from a pool and spa supply store.
5. Inspect the filter cartridge for damage. Replace the cartridge if it is damaged.
6. Insert the cleaned or new filter cartridge into the filter housing.
7. Re-attach the filter cover.



WATER CHEMISTRY

The maintenance of the pH level is very important to the operation of the spa. To maintain the proper pH level and to sanitize the spa, you can purchase a chemical starter kit from your local pool and spa supply store.

CAUTION: The chemicals used to maintain the pH balance of the water and to sanitize the water can be dangerous. Always follow these basic guidelines when handling the chemicals:

1. Always read and follow the directions on the label, unless directed otherwise.
2. Never mix different chemicals.
3. Do not exceed the recommended amounts of chemicals—follow the directions on the label closely.
4. Keep all chemicals out of the reach of children and pets.

5. Keep containers closed tightly when not in use.
6. Never add water to the chemicals—always add the chemicals to the water as directed.
7. Always store chemicals in a cool, dry place.

MAINTAINING THE PROPER PH BALANCE

The pH factor is a measure of the relative acidity or alkalinity in the water, and is measured on a scale of 1 to 14. Pure water has a value of 7, which is neutral. Any value above 7 is alkaline, and any value below 7 is acidic. You should maintain a slightly alkaline pH level, between 7.2 and 7.8, in the hydrotherapy spa.

Severe problems can occur when the pH balance is not maintained within this range. If the pH level exceeds 7.8, dissolved minerals can build up and clog the plumbing in the spa jet unit. If the pH level falls below 7.2, the acid level in the water will begin to corrode the metal parts in the spa jet unit. Also, the sanitation agents in the water will not be effective if the pH level is not properly maintained. Damage caused by improper pH levels is not covered under the warranty.

To maintain the proper pH level, test the pH of the water regularly. To test the water, purchase a pH test kit at a pool and spa supply store. The pH reading should be between 7.2 and 7.8. If the level is too low, add a pH increaser (usually soda ash). If the level is too high, add a pH reducer (usually sodium bisulfate). Test the water again after five minutes. See the instructions with your pH test kit for additional information about testing and adjusting the pH.

SANITIZING THE HYDROTHERAPY SPA

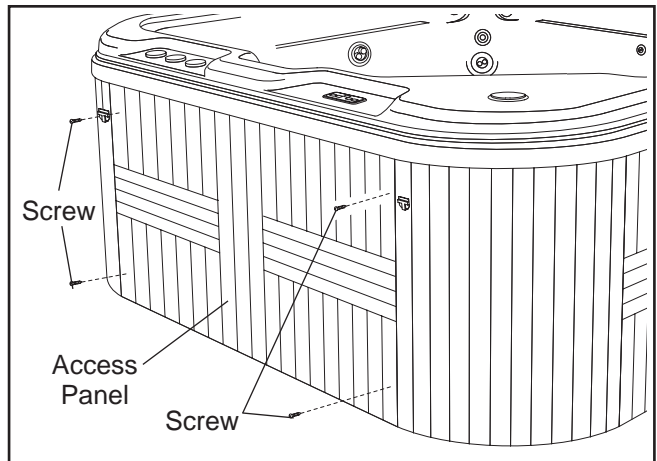
The most common sanitizing agent is a solid bromine concentrate. The amount required varies according to several factors, such as user load, temperature, and water conditions. Proper water maintenance is a complex process. Contact your local pool and spa supplier for information concerning which chemicals you should use in your area to sanitize the spa.

CHANGING THE FILTER CYCLE

The spa will filter the water every 12 hours. The duration of the cycle can be adjusted to last 2 to 5 hours. Press the temperature up or temperature down button on the console. When the display begins to flash, press the pump button. The display will read F2. To change the time, press the temp up button until the desired time is reached. Press the pump button to confirm the selection. As spa usage increases, the duration of the filter cycle may need to be increased.

REMOVING AND ATTACHING THE ACCESS PANEL

To locate the access panels, refer to the drawing on page 6. Turn off the power to the spa. To remove an access panel, first remove the four indicated screws. Slide the access panel down and then pull the bottom of it away from the spa. **Note: Be careful not to damage the spa shell as you remove the access panel.**



To re-attach the access panel, insert the top of the access panel under the edge of the spa shell. Slide the access panel up until the bottom of the access panel clears the trim along the bottom of the spa. Then, slide the access panel into place and re-attach it with the four screws.

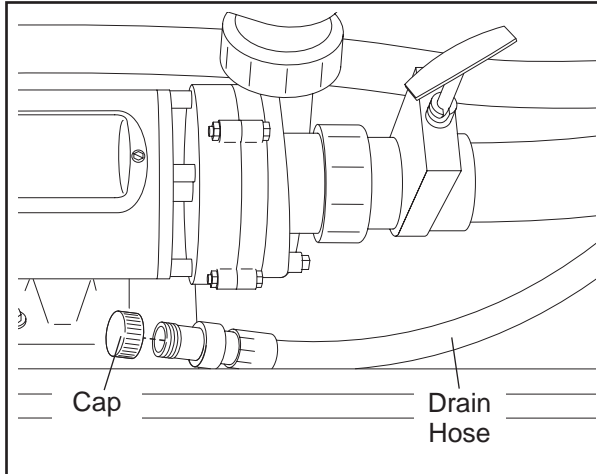
DRAINING THE HYDROTHERAPY SPA

The hydrotherapy spa should be drained at least four times per year and refilled with clean water. You may need to drain the spa more often, depending on the user load. This must be done because after repeated chemical treatment the water becomes chemically saturated. Once this happens, additional chemical treatment of the water is no longer effective. The spa should also be drained if you will not be using it for long periods of time. The spa must always be drained before major repairs are made.

The hydrotherapy spa should always be covered when it is empty. Direct sunlight can cause extensive damage. The surface of the spa shell can reach temperatures as high as 150°F in a matter of minutes if exposed to the sun while it is empty. These high temperatures can cause significant damage, such as blistering of the shell surface and warping of the spa shell. Any damage caused by sun exposure is not covered under warranty.

To drain the hydrotherapy spa, follow the steps below:

1. Using the console, adjust the temperature to the lowest setting.
2. Shut off the power to the spa, at the circuit breaker or GFCI.
3. Remove the pump access panel from the spa.
4. Pull the hose out and hold it above the waterline. Remove the cap and attach a garden hose to the drain hose. Lower the hose and drain the spa.

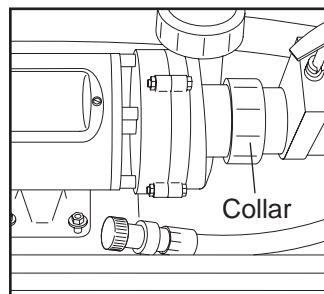


5. When the spa is empty, close the valve and remove the garden hose. Re-attach the cap and return the drain hose inside the spa.
6. Re-attach the access panel.
7. Refill the spa and treat the water with chemicals (see pages 10 and 14).

DRAINING THE PUMPS

After the hydrotherapy spa is drained, the jet pumps should also be drained if the spa will be stored for more than thirty days or if it may be exposed to freezing temperatures.

Turn off the power to the spa. To drain the jet pumps, remove the access panel from the spa unit (see ATTACHING AND REMOVING THE ACCESS PANEL on page 14). Locate the jet pumps inside the spa. Loosen the indicated collar on each of the pumps.



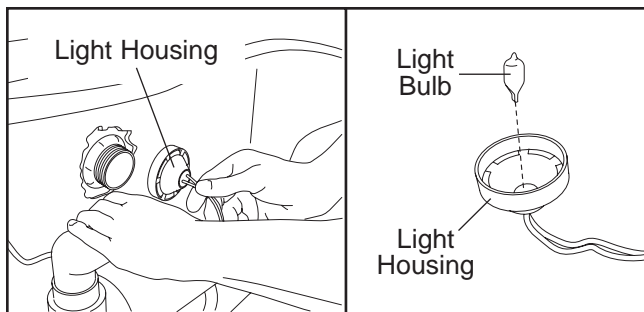
WINTER USE AND CARE

The hydrotherapy spa is designed for year-round use. If you decide to store the spa for the winter, store it in a warm, dry location. Follow the steps below to winterize the spa.

1. Make sure the power to the spa is turned off.
2. Drain the spa (see DRAINING THE HYDROTHERAPY SPA on the previous page and this page).
3. Remove all remaining water from the spa shell. Dry the spa shell with towels.
4. Set the air control to the lowest setting. Use a wet/dry vacuum to pull any remaining water from the system. To do this, place the vacuum nozzle over each jet, starting with the highest jet and finishing with the lowest jet.
5. Set the air control on the console to the highest setting and repeat step 3.
6. Drain the pumps (see DRAINING THE PUMPS on this page). Once the water is drained from the pumps, place the vacuum nozzle over the drainage hole in the pumps and vacuum any additional water from the pumps. **Note: For additional protection, remove the pump/motors from the spa and store them in a climate-controlled room.**
7. Clean the spa shell (see page 13).
8. Clean the filter (see page 13).
9. Shut the power off at the breaker. **Label the breaker in such a way that the breaker will not be turned on accidentally.**
10. Re-attach the access panel and the spa cover.

REPLACING THE LIGHT BULB

If the underwater light burns out, you will need to remove the pump access panel to replace it (see ATTACHING AND REMOVING THE ACCESS PANEL on page 14). Make sure the spa power is turned off. Next, locate the light housing. Turn the light housing counterclockwise and remove it from the spa shell.



To replace the light bulb, pull the old light bulb out of the housing and insert a new light bulb. Re-attach the light housing to the spa shell. Re-attach the access panel to the spa.

Troubleshooting

Most problems can be solved by following the simple steps below. Find the symptom that applies, and follow the steps listed. If further assistance is needed, call our Customer Service Department toll-free at 1-877-897-7493, Monday through Friday, 8 a.m. until 5 p.m. Central Time.

1. SYMPTOM: THE SPA WILL NOT OPERATE

- a. Check to see if the GFCI breaker is tripped or was not turned on. Reset the GFCI breaker.

2. SYMPTOM: THE CIRCUIT BREAKER OR THE GFCI TRIPS WHILE THE SPA IS OPERATING

- a. Reset the circuit breaker or the GFCI. If the circuit breaker or the GFCI trips again, contact a qualified electrician for service.

3. SYMPTOM: THE PUMP HUMS

- a. The filter may be dirty or damaged. Remove the filter from the filter housing and clean or replace the filter (see page 13).
- b. The pump may have a foreign object stuck in the impeller. Contact our customer service department.
- c. The pump may have a loose wire connection. Contact our customer service department.

4. SYMPTOM: THE PUMP HUMS, BUT DOES NOT ROTATE

- a. The pump may be jammed. Contact our customer service department. If your spa is no longer under warranty, contact a local spa and pool service provider.

5. SYMPTOM: THE PUMP IS NOISY WHILE OPERATING

- a. There may be debris in the pump. Contact our customer service department.
- b. The pump may have a bad bearing. Contact our customer service department.

6. SYMPTOM: THE WATER DOES NOT HEAT

- a. Make sure that the hydrotherapy spa is fully covered with the spa cover. **The spa cover must be tight for the water to heat.** Set the air control to low. The water will heat at a rate of 6°F per hour. If you are using the spa indoors and the room temperature is main-

tained at 70°F, it will take approximately 6 to 8 hours for the water to reach the set temperature.

- b. If you are using the hydrotherapy spa outdoors, it may take longer for the water to heat. See the chart below for the approximate heating time.

<u>Air Temperature</u>	<u>Heating Time</u>
70°F +	6 to 8 hours
50°F to 70°F	9 to 11 hours
30°F to 50°F	12 to 14 hours

If the water still has not heated after 24 hours, contact our customer service department.

7. SYMPTOM: THE WATER IS NOT BEING CLEANED BY THE FILTER

- a. Check to see if the filter is in place. Clean the filter if it is dirty.
- b. Check the chemical balance of the water. If the pH is incorrect, the sanitizing agents will not function properly. See the section on maintaining the proper pH balance on page 14.

8. SYMPTOM: THE WATER PULSATES OR THERE IS MINIMUM WATER FLOW

- a. This usually occurs only when the water level is low. Add water until it is 2" to 4" above the basket.

9. SYMPTOM: THE WATER LEVEL DROPS

- a. A clamp or seal inside the pump compartment may be loose. Check inside the pump compartment for excess water and watch the pump unit while it is operating to see if water drips from any of the plumbing. If you can identify the location of the leak inside the spa jet unit, tighten the clamp or replace the damaged seal.
- b. Some water loss due to evaporation is normal. If rapid water loss occurs, or if you notice wetness on the floor around the hydrotherapy spa, the spa shell may have a leak. Contact your local pool and spa service provider for repairs.

10. SYMPTOM: THE SPA JET UNIT CONTINUES TO RUN AFTER IT HAS BEEN SHUT OFF

- a. To turn the main jets off, press pump button once or twice. Note: If the actual spa water temperature is below the set temperature, or if the spa is running a filter cycle, the heater pump/motor will not shut off.

11. SYMPTOM: THE LETTERS OH, FL, OR SN APPEAR IN THE CONSOLE DISPLAY

OH: Overheat (spa is deactivated). **Do not enter the water.** If the spa water has reached 112° F, remove the spa cover to cool the water.

Overheating may occur if the filter cycle is set too long. At 110° F the spa should reset itself. If the high-limit sensor detects 118° F at the heater, the spa will shut down. When the heater cools to 110° F press any button to reset the spa. If the spa will not reset, shut off power to the spa and call your dealer or service organization.

FL: Flow. A pressure switch is not working. Call your dealer or service organization.

Sn: Sensor (spa is deactivated). The high-limit sensor or water temperature sensor is not working. Call your dealer or service organization.

Key No.	Qty.	Description	Key No.	Qty.	Description
1	1	Thermometer Fitting	33	1	Face Plate Assembly
2	1	4-wire Power Cord	34	3	Panel
3	1	Filter Cover	35	4	1/4" Lock Washer
4	4	Corner Panel	36	1	Filter Housing*
5	1	Filter Cartridge	37	4	Medium Jet Housing
6	32	#10 x 2" Sheet Metal Screw	38	1	Console With Overlay
7	1	Blue Light Cover	39	1	Large Massage Jet
8	1	Red Light Cover	40	4	Nozzle Housing
9	4	#10 x 1 1/2" Sheet Metal Screw	41	10	Jet Ring
10	1	Diverter Plate	42	1	Nozzle Bushing
11	1	Spa Cover	43	9	Pivot Ring
12	6	Dual Rotary Jet Housing	44	4	Medium Nozzle
13	2	Jet Pump/Motor O-ring	45	1	Drain Plug
14	1	Heater/Electronics Package*	46	4	Rubber Washer
15	1	Access Panel	47	1	Pillow
16	1	Cartridge Plug	48	1	Drain Plug O-ring
17	2	Suction Cover Assembly	49	2	Collar With Screw
18	3	Air Control Knob	50	1	Large Rotary Jet
19	1	Jet Pump/Motor*	51	6	Dual Rotary Jet
20	4	1/4" Washer	52	1	Ozone Jet Ring
21	9	Rotary Jet	53	1	Ozone Jet
22	1	Basket	#	1	Ground Wire
23	1	Rubber Isolator	#	2	Key
24	4	1/4" x 1 1/2" Bolt	#	1	User's Manual
25	1	Volcano Jet	#	1	Large Warning Sign
26	4	Buckle	#	1	Warning Sign
27	8	#4 x 3/4" Screw	#	1	Light Bulb
28	4	Neck Jet			
29	1	Overlay			
30	2	Heater Gasket			
31	1	Whirlpool Jet			
32	1	Filter Housing Door			

* Indicates a part that is serviceable only by service technicians.

Indicates a non-illustrated part.

Specifications are subject to change without notice.

Ordering Replacement Parts

To order replacement parts, simply call our Customer Service Department toll-free at 1-877-897-7493, Monday through Friday, 8 a.m. until 5 p.m. Central Time (excluding holidays). To help us assist you, please be prepared to give the following information when calling:

- The MODEL NUMBER of the product (IMSB62820 or IMMSG62820)
- The NAME of the product (RENEW 628 hydrotherapy spa)
- The SERIAL NUMBER of the product (see the front cover of this manual)
- The KEY NUMBER and DESCRIPTION of the desired part(s) (see the PART LIST and EXPLODED DRAWING on pages 18 and 19)

Limited Warranty

ICON Health & Fitness, Inc. (ICON), warrants this product to be free from defects in workmanship and material, under normal use and service conditions, for a period of ninety (90) days from the date of purchase. ICON extends a limited five (5) year warranty on the spa shell structure. ICON extends a limited two (2) year warranty on the pump, motor, and electronics package. This warranty extends only to the original purchaser. ICON's obligation under this warranty is limited to replacing or repairing, at ICON's option, the product through one of its authorized service centers. All repairs for which warranty claims are made must be pre-authorized by ICON. This warranty does not extend to any product or damage to a product caused by or attributable to freight damage, abuse, misuse, improper or abnormal usage, or repairs not provided by ICON authorized service personnel; to products used for commercial or rental purposes; or to products used as store display models. Specifically excluded are damages caused by or attributable to the following incidents: any damage to the premium cedar surround or frame attributable to improper handling or freight damage; damage resulting from improper winterization; damage to the spa shell resulting from improper chemical treatment, damage to the spa shell resulting from exposure to extreme temperatures, or damage to the spa shell resulting from exposure to direct sunlight and ultraviolet rays while the spa is empty; damage to the pump, motor, plumbing, and components due to improper maintenance, chemical treatment, or exposure; or damage resulting from failure to properly follow user's manual installation, operating, or maintenance instructions. Also excluded are consumable components, including but not restricted to filter cartridges. No other warranty beyond that specifically set forth above is authorized by ICON.

ICON is not responsible or liable for indirect, special or consequential damages arising out of or in connection with the use or performance of the product or damages with respect to any economic loss, loss of or damage to property including water damage, loss of revenues or profits, loss of enjoyment or use, costs of removal, installation or other consequential damages of whatsoever nature. Some states do not allow the exclusion or limitation of incidental or consequential damages. Accordingly, the above limitation may not apply to you.

The warranty extended hereunder is in lieu of any and all other warranties and any implied warranties of merchantability or fitness for a particular purpose is limited in its scope and duration to the terms set forth herein. Some states do not allow limitations on how long an implied warranty lasts. Accordingly, the above limitation may not apply to you.

This warranty gives you specific legal rights. You may also have other rights which vary from state to state.

ICON HEALTH & FITNESS, INC., 1500 S. 1000 W., LOGAN, UT 84321-9813